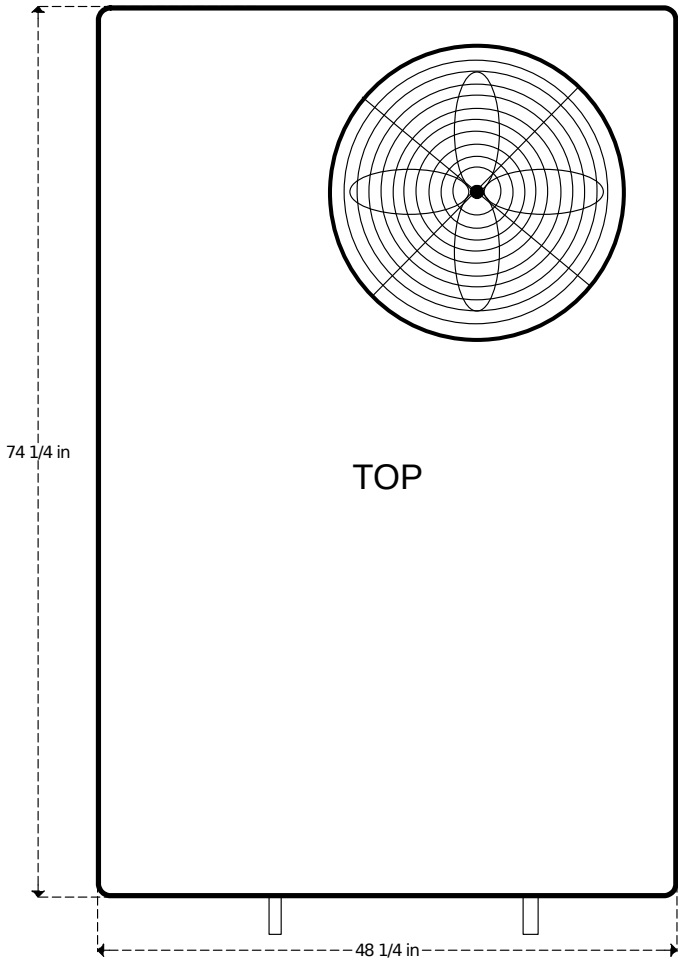


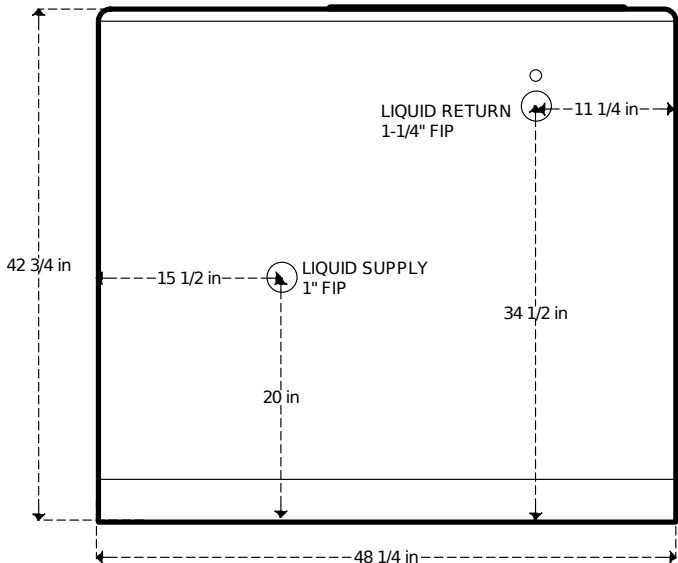
MODEL CXCA0072CRS3-LT

SPECIFICATIONS:

- Low temperature chiller
- 79,200 BTU/HR at 50F LWT and 90F ambient
- 30,000 BTU/HR at 28F LWT and 90F ambient
- Electrical: 208/230V, 60hz three phase
- Min Circuit Ampacity: 34 Amps, Max Fuse Size: 52 Amps
- (1) 77G stainless steel tank with "No-Freeze" evaporator
- (1) 1 HP water pump: 47 GPM max, 49 PSI max
- (1) Copeland scroll compressor
- R410a Refrigerant
- Approximate shipping weight 950 LBS
- Dimensions: 48-1/4" wide, 74-1/4" long, 42-3/4" tall
- Decibels: 78



FRONT



REAR

