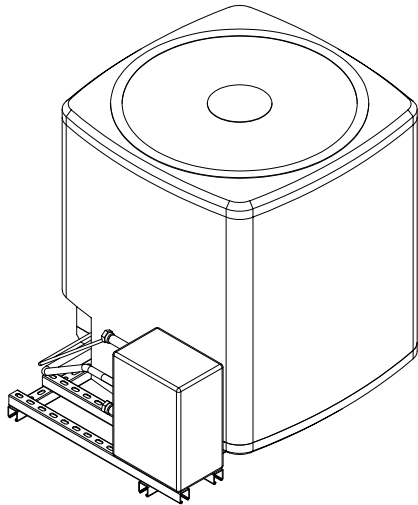


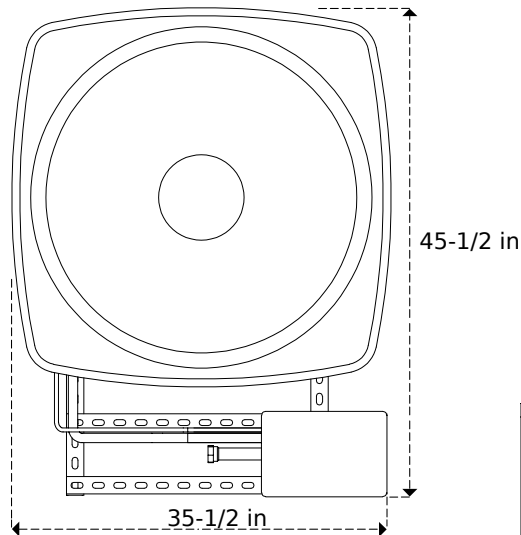
MODEL CXPA060CNS4

SPECIFICATIONS:

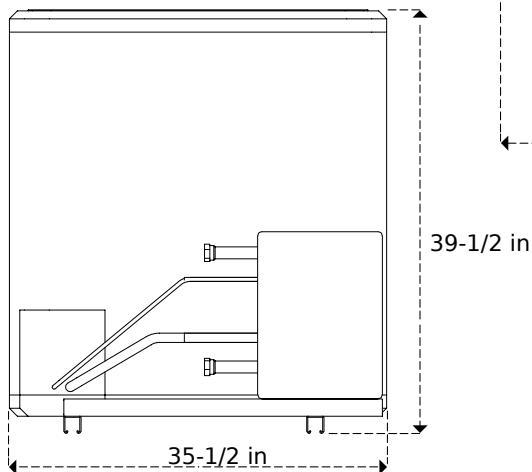
- 60,000 BTU/HR at 95°F ambient & 55°F water out
- Electrical: 460V, 60hz three phase
- Minimum Circuit Ampacity: 10.6, Max Fuse Size 15 Amps
- (1) Copeland scroll compressor
- Stainless Steel Evaporator [Sized For Glycol]
- R410a Refrigerant
- 1" FNPT Water/Glycol Connections
- Flow switch safety cut-off
- Low ambient start of 0°F
- Approximate shipping weight 350 LBS
- Dimensions: 45-1/2" long, 35-1/2" wide, 39-1/2" tall
- ETL & UL Listed Components
- Decibels: 84



TOP



FRONT



SIDE

