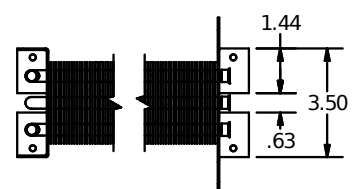
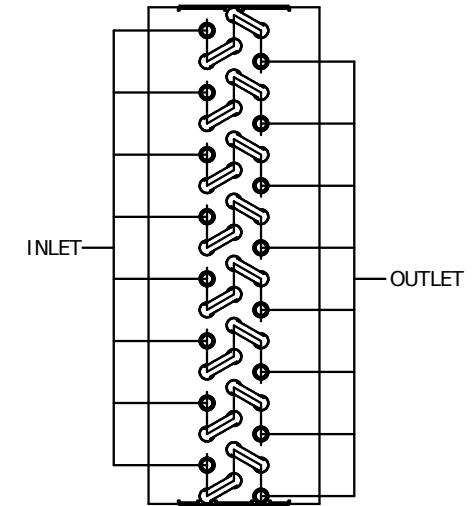
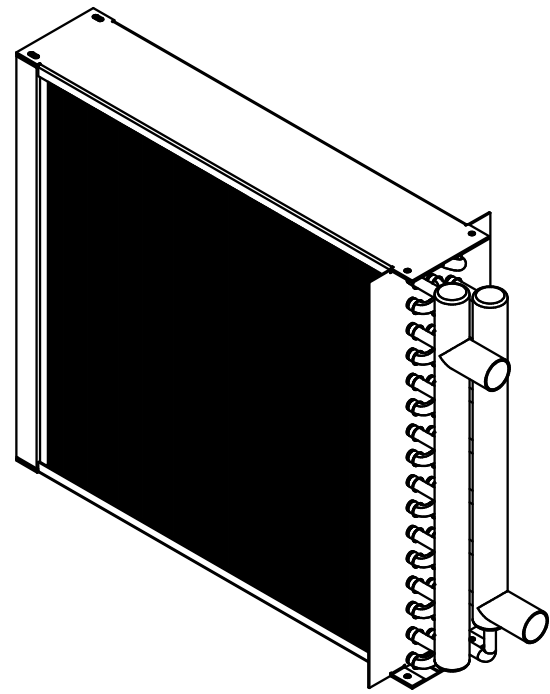
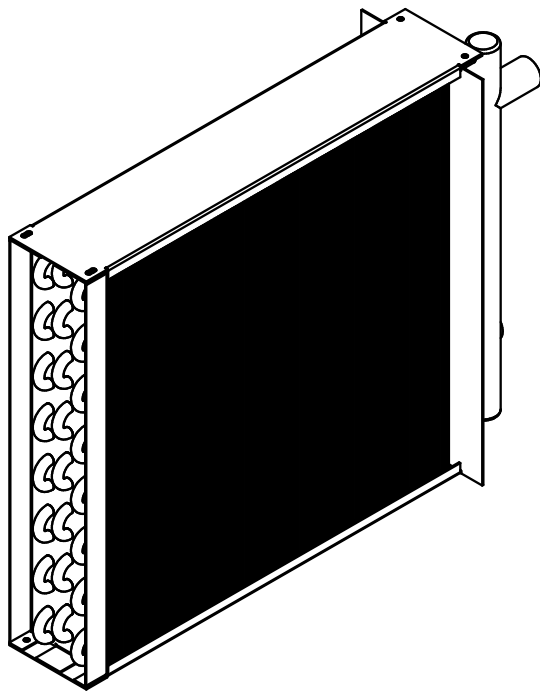


- NOTES:
1. HAIRPINS: 3/8 OD X .016 SMOOTH WALL COPPER.
 2. RETURN BENDS: 3/8 OD X .020 WALL COPPER.
 3. FINS: .055 AL CORRUGATED WITH RIPPLED EDGES, SPACED AT 12 FPI.
 4. ENDPLATES: .050 GALV 18GA, SMOOTH FINISH.
 5. MANIFOLD INLET: NOTED.
 6. MANIFOLD INLET: NOTED.
 7. COIL IS RECOGNIZED COMPONENT UNDER UL FILE SA33458 TYPE "Z", 450 PSIG PSIG DESIGN, 2250 PSIG PSIG BURST.
 8. COIL JOINTS BRAZED WITH INERT GAS INSIDE TUBE TO PREVENT EXCESS OXIDATION.
 9. COIL IS LEAKTESTED TO 1/10 OZ PER YEAR OR LESS.
 10. COIL IS CAPPED FOR TRANSPORTATION AND STORAGE.
 11. LABEL COIL WITH UL, BARCODE, AND LEAKTEST.

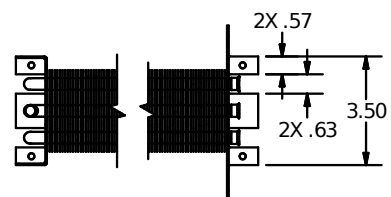
| | | | | | | | |
|---------------|----|-------------|-----------------------------------|---|----------------------------|---|--|
| FIN PACK SIZE | | PART NUMBER | GEOMETRY | TUBE | SAP DESCRIPTION | CHILLX CHILLERS PO BOX 66032 AUSTIN, TX 78766 | |
| NR. OF ROWS | | ZAS110NZA-F | 3/8 X 1 X .866 | 3/8 OD X .016 SMOOTH CU | 09G2626P021L0406R03T16C0F2 | 10233870 | |
| NR. OF TUBES | | ZAS110NZA-F | UL FILE SA33458 TYPE "Z" | FINS | | ZEPHAIRE | |
| NR. OF FINS | | REVISION | DESIGN PRESS | END PLATE | | 10233870 | |
| 192 | FR | NR | DESIGN: 450 PSIG BURST: 2250 PSIG | .055 AL CORRUGATED WITH RIPPLED EDGES ON VERT | | DWN. BY: T.Enloe 29/03/2021 APPD. BY: | |
| | | 12 | 2.12 MM | COATING | | Sht 1 of 2 | |
| | | | | NONE | | APPD. BY: | |

| | | | |
|------------------|-----|-----------|----------|
| AA | REV | DATE | APPROVED |
| | | 3/30/2021 | |
| REVISION HISTORY | | | |
| ZONE | | | |





SECTION A-A



SECTION B-B

SIDE PLATES AND MANIFOLDS
REMOVED FOR CLARITY

| | | | | | | |
|---------------|-----|----------------|-----------------------------------|---|-----------------------------|---|
| FIN PACK SIZE | | PART NUMBER | GEOMETRY | TUBE | SAP DESCRIPTION | |
| NR. OF ROWS | 3 | ZAS110NZA-F | 3/8 X 1 X .866 | 3/8 OD X .016 SMOOTH CU | 09G2626P021L0406R03T16C0F2 | |
| NR. OF TUBES | 16 | DRAWING NUMBER | UL TYPE | FINS | SAP CODE | CHILLX CHILLERS PO BOX 66032 AUSTIN, TX 78766 |
| NR. OF FINS | 192 | ZAS110NZA-F | UL FILE SA33458 TYPE "Z" | .055 AL CORRUGATED WITH RIPPLED EDGES ON VERT | 10233870 | |
| | | REVISION | DESIGN PRESS | END PLATE | 10233870 | CHILLX WATER CHILLERS |
| | | NR | DESIGN: 450 PSIG BURST: 2250 PSIG | .050 GALV 18GA | | |
| | | FR | | COATING | | |
| | | 12 | 2.12 MM | NONE | | |
| | | | | | DWN. BY: T.Enloe 29/03/2021 | Sht 2 of 2 |
| | | | | | APPD. BY: | |

